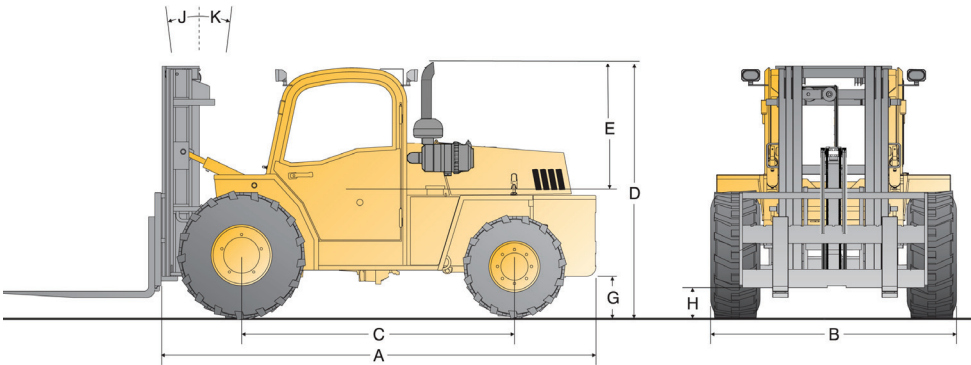


SLP low profile rough terrain forklift

Lift capacities of 5,000, 6,000 or 8,000 @ 24" load centre



Model	Ref	SLP50	SLP60	SLP80
Lift capacities @ 24 inch load centre		5,000 lbs	6,000 lbs	8,000 lbs
Total weight (w/2 stage mast)		11,250 lbs	13,422 lbs	14,356 lbs
Overall length (without forks)	A	147"/3,734 mm	147"/3,734 mm	148"/ 3,759 mm
Overall width	B		78"/1,981 mm	
Wheelbase	C		93"/2,362 mm	
Height to top of overhead guard	D		75"/1,905 mm 85"/2,159 mm	
Distance from seat to OHG	E		40"/1,016 mm (75" OHG) 45"/1,143 mm (85" OHG)	
Outside turning radius		in 2WD mode: 178"/4,521 mm; in 4WD mode: 196"/4,978 mm		
Frame underclearance	G		11"/279 mm	
Mast underclearance	H		12"/304 mm	
Mast sideshift			6"/152 mm	
Mast tilt - forward	J		20°	
Mast tilt - rearward	K		10°	
Gradeability			25%	
Tire size			Drive: 15-19.5-12 ply Steer: 12-16.5-10 ply	
Engine manufacturer & model		Ecomax T4i turbocharged diesel		
Cylinders		4		
Engine output (gross power)		74 hp @ 2,200 rpm		
Peak torque		243 ft-lbs @ 1,100 rpm		
Travel speed		15(24) mph (km/h)		

Because of our constant dedication to product improvement, all specifications are subject to change without notice.

All Sellick forklifts meet or exceed all ANSI B56.6 safety standards.